

PRODUCT DATA SHEET

Standing: 2024-04-29

LAUDA Ultracool UC 14 W

Circulation chiller 400 V; 3/PE; 50 Hz

Part Number: L003574

Features

- Highly efficient industrial chiller
- LCD remote control with 5 m cable
- Operation possible via web server
- Electronic 2-point temperature control
- Protection level IP 54 (for outdoor installation)
- Industrial block pump with high pressure and high flow rate
- Integrated water filter
- Integrated Ethernet interface
- Inlet and outlet water connections in stainless steel
- Operates with non flammable liquids (water, water/glycol)
- Meeting the energy efficiency requirements of the EcoDesign directive 2009/125/EC
- Condenser cooling Water



Options included

- Water cooled version (W)
- Reinforced pump in stainless steel



Working temperature min.
-10 °C



Working temperature max.
35 °C

LAUDA DR. R. WOBSEY GMBH & CO. KG
Laudaplatz 1 • 97922 Lauda-Königshofen • DE

T + 49 (0) 9343 503-0
info@lauda.de • www.lauda.de
WEEE-Reg.-Nr.: DE 66 42 40 57

Kommanditgesellschaft: Sitz Lauda-Königshofen
Registergericht Mannheim • HRA 560069

Persönlich haftende Gesellschafterin:
LAUDA DR. R. WOBSEY Verwaltungs-GmbH
Sitz Lauda-Königshofen
Registergericht Mannheim • HRB 560226

Geschäftsführer:
Dr. Gunther Wobser (Vors.), Dr. Mario Englert,
Dr. Ralf Hermann, Dr. Marc Stricker
Beirat: Dr. Gerhard Wobser

PRODUCT DATA SHEET

Standing: 2024-04-29

LAUDA Ultracool UC 14 W

Circulation chiller 400 V; 3/PE; 50 Hz

Part Number: L003574

Technical Features

| | |
|--|---|
| Working temperature range | -10 ... 35 °C |
| Ambient temperature range | -15 ... 50 °C |
| Temperature stability | 0.5 ± K |
| Filling volume max. | 35 L |
| Pump Pressure max. | 6,8 bar |
| Pump Pressure nominal | 5.5 bar |
| Pump flow rate max. (pressure) | 106 L/min |
| Pump flow rate nominal | 43.8 L/min |
| In / Outlet connection thread (inside) | Rp 1 |
| Water cooling connection thread (inside) | Rp 1 |
| Overall dimensions (WxDxH) | 720 x 910 x 1250 mm |
| Weight | 175 kg |
| Noise level | 64.7 dB(A) |
| Refrigerant stage 1 | R-410A (GWP 2088); 2.000 kg; 4.2 t CO2-eq |
| SEPR | 7.14 |
| Power supply | 400 V; 3/PE; 50 Hz |
| Power plug | --- |

Reserve technical changes

LAUDA DR. R. WOBSEY GMBH & CO. KG
Laudaplatz 1 • 97922 Lauda-Königshofen • DE

T + 49 (0) 9343 503-0
info@lauda.de • www.lauda.de
WEEE-Reg-Nr.: DE 66 42 40 57

Kommanditgesellschaft: Sitz Lauda-Königshofen
Registergericht Mannheim • HRA 560069

Persönlich haftende Gesellschafterin:
LAUDA DR. R. WOBSEY Verwaltungs-GmbH
Sitz Lauda-Königshofen
Registergericht Mannheim • HRB 560226

Geschäftsführer:
Dr. Gunther Wobser (Vors.), Dr. Mario Englert,
Dr. Ralf Hermann, Dr. Marc Stricker
Beirat: Dr. Gerhard Wobser

PRODUCT DATA SHEET

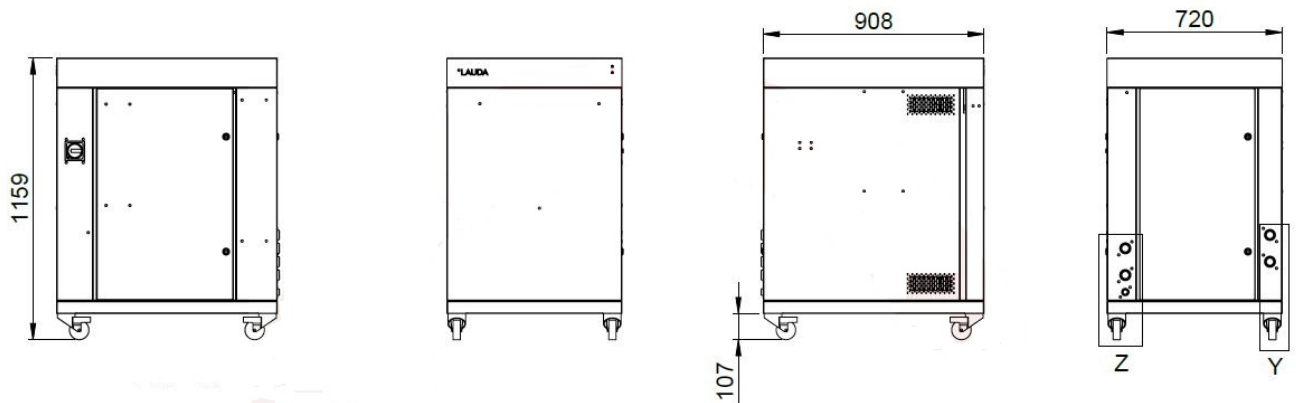
Standing: 2024-04-29

LAUDA Ultracool UC 14 W

Circulation chiller 400 V; 3/PE; 50 Hz

Part Number: L003574

| Temperature | Cooling Capacity 50 Hz |
|-------------|------------------------|
| 25 °C | 22.4 kW |
| 20 °C | 20.3 kW |
| 15 °C | 18.4 kW |
| 10 °C | 15.8 kW |
| 5 °C | 13.4 kW |
| 0 °C | 11.1 kW |
| -5 °C | 9.3 kW |
| -10 °C | 7.6 kW |



Reserve technical changes

LAUDA DR. R. WOBSEY GMBH & CO. KG
Laudaplatz 1 • 97922 Lauda-Königshofen • DE

T + 49 (0) 9343 503-0
info@lauda.de • www.lauda.de
WEEE-Reg-Nr.: DE 66 42 40 57

Kommanditgesellschaft: Sitz Lauda-Königshofen
Registergericht Mannheim • HRA 560069

Persönlich haftende Gesellschafterin:
LAUDA DR. R. WOBSEY Verwaltungs-GmbH
Sitz Lauda-Königshofen
Registergericht Mannheim • HRB 560226

Geschäftsführer:
Dr. Gunther Wobser (Vors.), Dr. Mario Englert,
Dr. Ralf Hermann, Dr. Marc Stricker
Beirat: Dr. Gerhard Wobser